

TOYOTA FJ CRUISER 2007- PORTABLE NAVIGATION SYSTEM Preparation

Part Number: PT917-35070

NOTE: Part number of this accessory may not be the same as the part number shown.

Kit Contents

Item #	Quantity Reqd.	Description
1	1	Housing
2	1	Quest 2 GPS
3	1	Owner's Manual
4	1	Quick Reference Guide
5	1	USB Cable
6	1	Software CD
7	1	Installation Instructions

Special Chemicals	Notes

Hardware Bag Contents

Item #	Quantity Reqd.	Description
1	1	Wire Harness
2	1	Foam Tape
3	5	Wire Ties
4	1	LH Screw Cap
5	1	RH Screw Cap

General Applicability

--

Recommended Sequence of Application

Item #	Accessory
1	V5 Security – RS3200 +
2	Satellite Radio
3	Garmin Portable Navigation System
4	Fog Lights
5	Arm Rest

Additional Items Required For Installation

Item #	Quantity Reqd.	Description





Vehicle Service Parts (may be required for reassembly)

Item #	Quantity Reqd.	Description

Conflicts

None

Legend

	STOP: Damage to the vehicle may occur. Do not proceed until process has been complied with.
	OPERATOR SAFETY: Use caution to avoid risk of injury.
	CAUTION: A process that must be carefully observed in order to reduce the risk of damage to the accessory/vehicle and to ensure a quality installation.
	TOOLS & EQUIPMENT: Used in Figures calls out the specific tools and equipment recommended for this process.

Recommended Tools

Personal & Vehicle Protection	Notes
Safety Glasses	
Safety Gloves	Optional
Vehicle Protection	Blankets, Part Boxes, Masking Tape
Special Tools	Notes
Installation Tools	Notes
Screwdriver	Phillips Head #2
Wrench	10 mm
Socket	10 mm
Nylon Panel Removal Tool	
Torque Wrench	36 lbf-in
Side Cutters	
Ratchet	
Extension	6 in

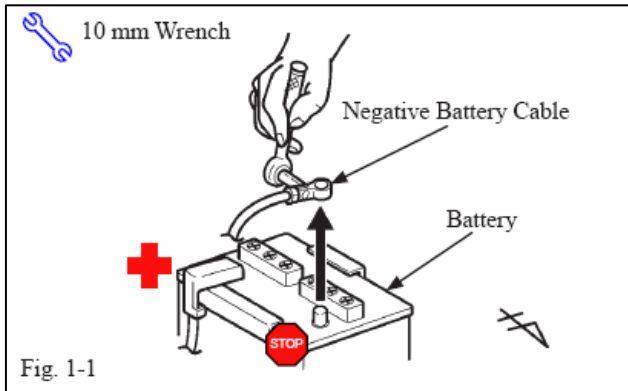
Care must be taken when installing this accessory to ensure damage does not occur to the vehicle. The installation of this accessory should follow approved guidelines to ensure a quality installation.

These guidelines can be found in the "Accessory Installation Practices" document.

This document covers such items as:-


- Vehicle Protection (use of covers and blankets, cleaning chemicals, etc.).
- Safety (eye protection, rechecking torque procedure, etc.).
- Vehicle Disassembly/Reassembly (panel removal, part storage, etc.).
- Electrical Component Disassembly/Reassembly (battery disconnection, connector removal, etc.).


Please see your Toyota dealer for a copy of this document.

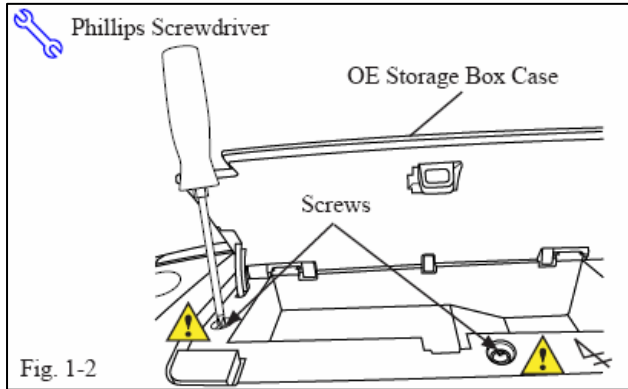


1. Vehicle Disassembly.


(a) Remove the negative battery cable. (Fig. 1-1)

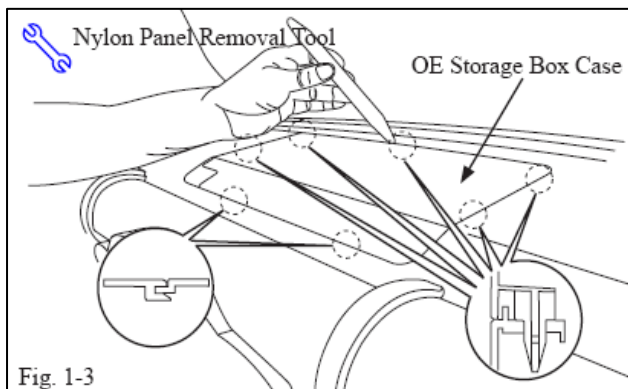
-  (1) For vehicles equipped with automatic transmission, place the shifter in the N (neutral) position and set the parking brake prior to disconnecting the battery.

 **CAUTION:** Do not touch the positive terminal with any tool when removing cable.




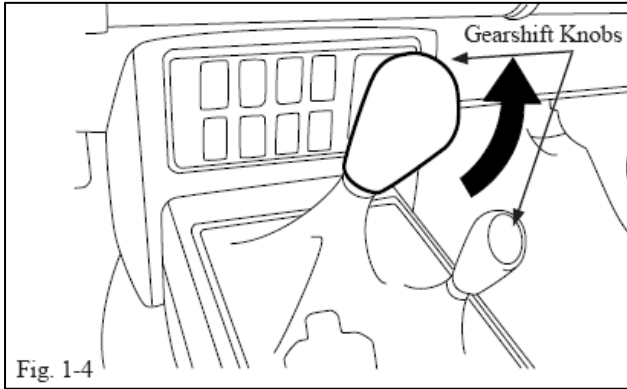
(b) Remove the two Phillips screws securing the OE Storage Box case. (Fig. 1-2)

-  (1) Do not throw away the screws.



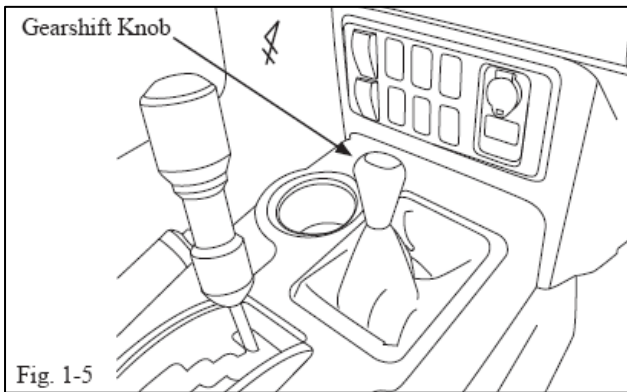
(c) Remove the OE storage box case. (Fig. 1-3)

-  (1) Place masking tape in areas where the panel remover tool will be used.

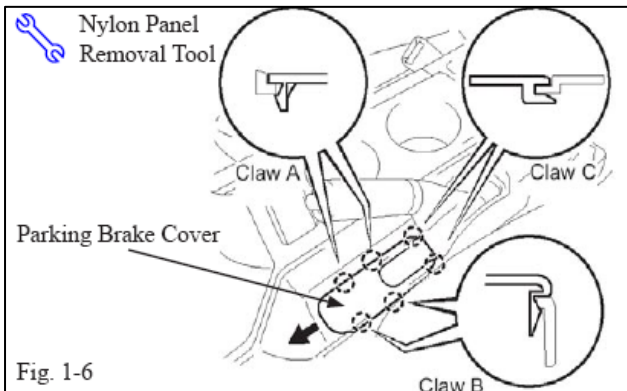


(d) Remove the gearshift knob(s).

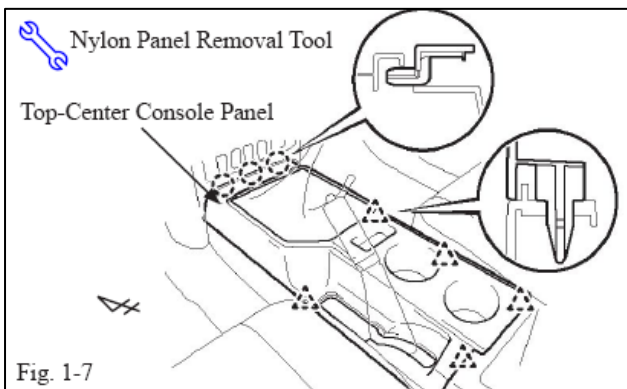
- (1) For manual transmission models, remove the gearshift knob. (Fig. 1-4)



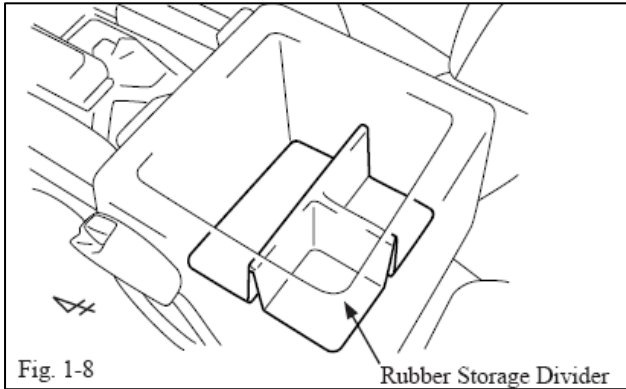
- (2) For models with 4WD, remove the gearshift knob. (Fig. 1-5)



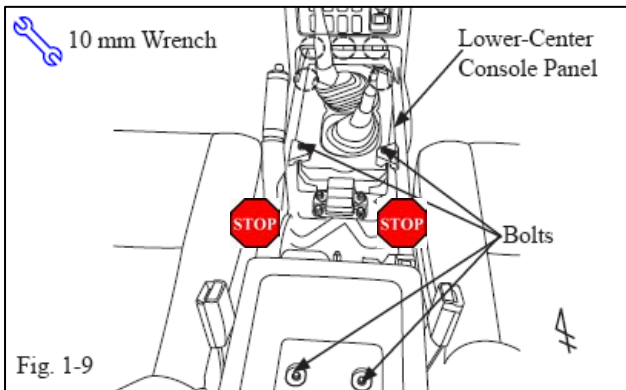
(e) Remove the parking brake cover. (Fig. 1-6)



(f) Remove the top-center console panel. (Fig. 1-7)




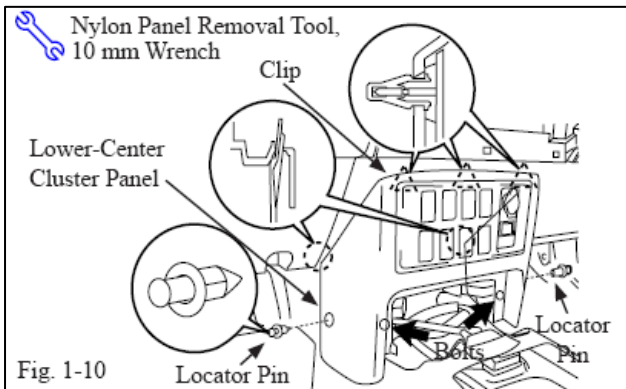
- (g) Remove the rubber storage divider from the box. (Fig. 1-8)



- (h) Remove the four 10 mm bolts securing the lower-center console panel. (Fig. 1-9)

- (i) Slide lower-center console panel rearward.

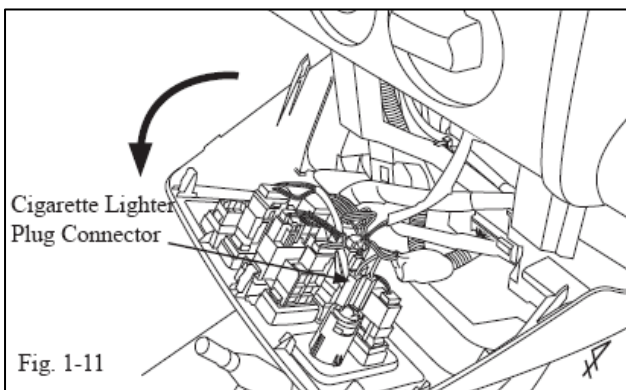
-  (1) Be sure to protect vehicle and cover sharp edges.




- (j) Remove the lower-center cluster panel.

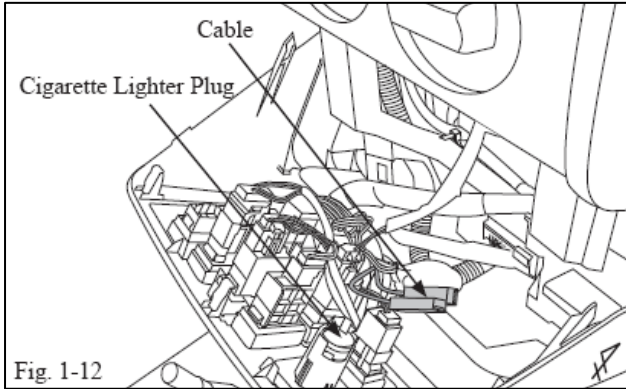
- (1) Remove the two bolts securing the lower-center cluster panel. (Fig. 1-10)

- (2) Remove the two locator pins. (Fig. 1-10)

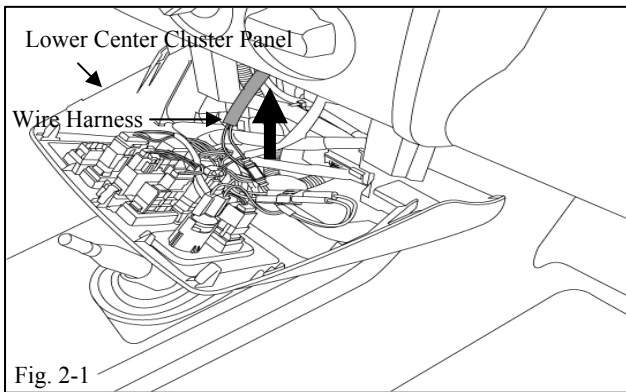


- (k) Pull the lower-center cluster panel down to expose the cigarette lighter plug connector. (Fig. 1-11)

-  (1) Place a protective blanket between the lower-center cluster panel and the lower-center console panel. Make sure the blanket covers the shifter.

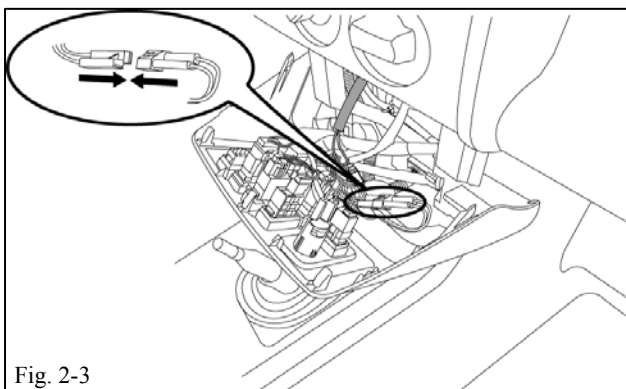
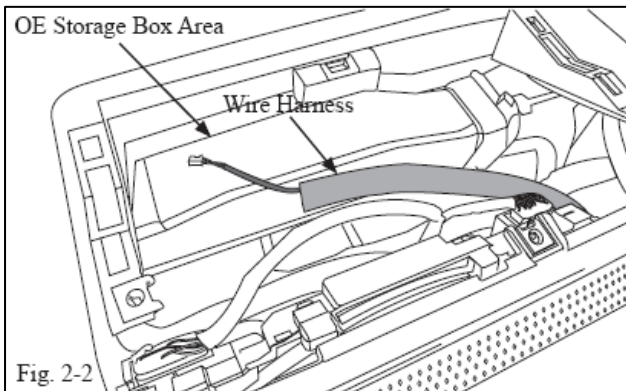


(2) Locate and disconnect the cable to the cigarette lighter plug. (Fig. 1-12)



2. Power Cable Installation.

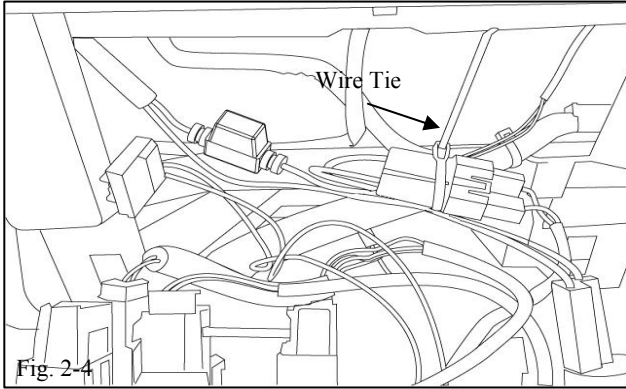
(a) Route the wire harness upward from the lower center cluster panel (Fig. 2-1) through the OE storage box area. (Fig. 2-2)



(b) Connect the wire harness to the cigarette lighter cable and plug. (Fig. 2-3)

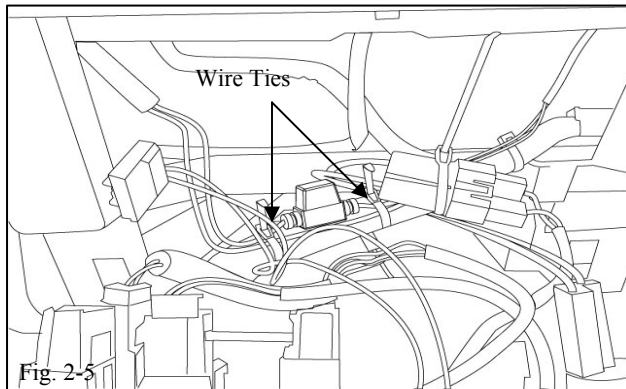


(1) Check for proper pin connection, if pin backs out, reconnect pin.

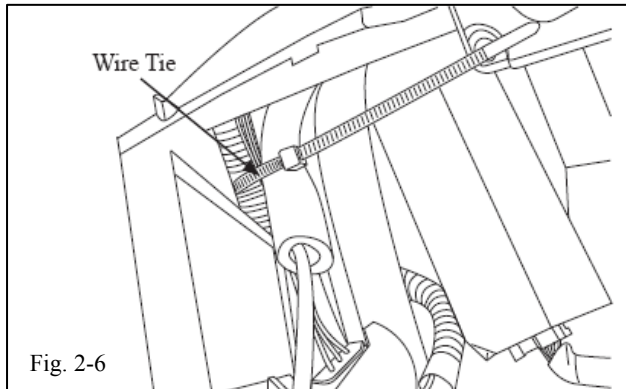


- (c) Attach one wire tie around the wire harness connector and the factory wire harness. (Fig. 2-4)

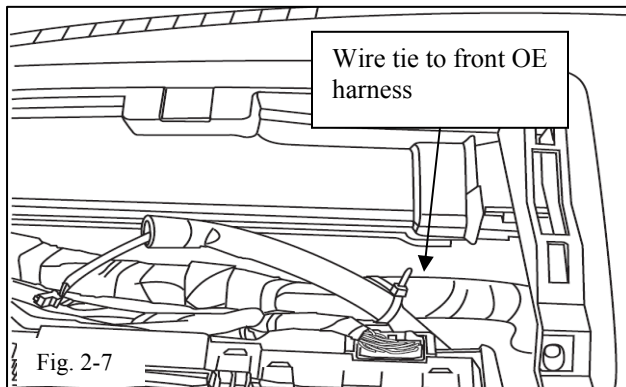
(1) Wrap with foam tape.



- (d) Attach two wire ties around both sides of the fuse holder and the factory wire harness. (Fig. 2-5)

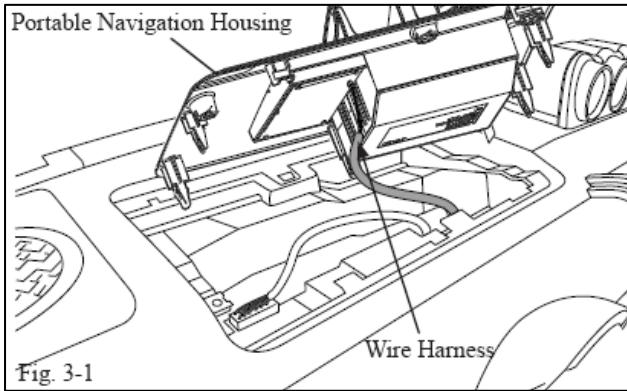


- (e) Attach one wire tie around the wire harness tube and the corrugated wire harness bundle on the left side of the lower-center cluster panel. (Fig. 2-6)



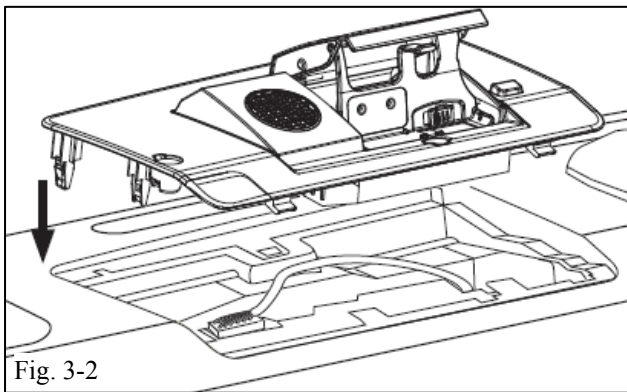
- (f) Attach one wire tie behind the OE storage box area. (Fig. 2-7)

(1) Make sure the end of the harness is able to extend at least 50mm (~2 in.) above the dash surface.



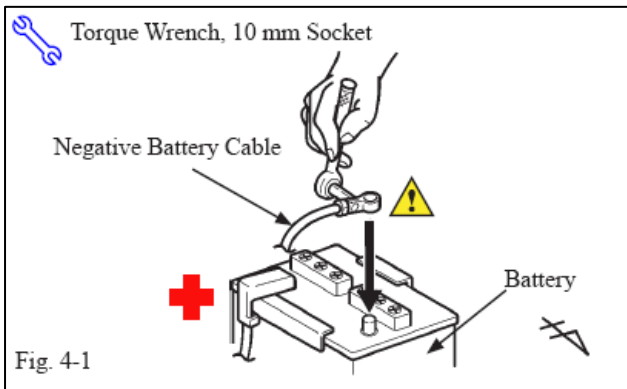
3. Portable Navigation Housing Installation

- (a) Connect the wire harness to the portable navigation housing. (Fig. 3-1)



- (b) Place the portable navigation housing in the dash. (Fig. 3-2)

- (1) Insert the front housing claws in first.
- (2) Do not snap the housing into place.
- (3) Press the button on the right side of the case to open the cradle.



4. Testing

- (a) Reconnect the vehicle's negative battery cable. (Fig. 4-1)

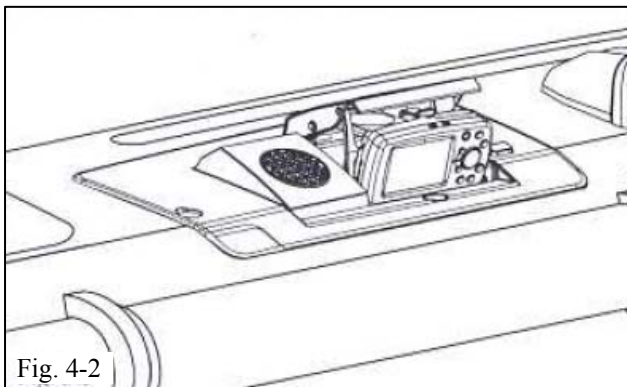
- (1) Position the negative battery cable at the original factory position.



- (2) Tighten the nut with 4.1 N-m (36 lbf-in) of torque.



CAUTION: Be careful not to touch the positive battery terminal.



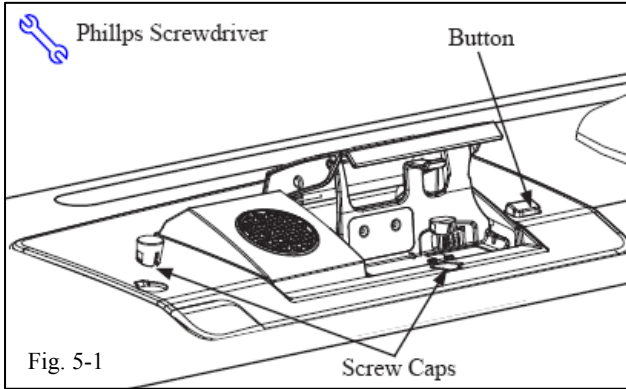
- (b) Place navigation unit into cradle. (Fig. 4-2)

- (1) Raise the antenna to 90 degrees.
- (2) Seat the bottom of the unit first.

- (c) Turn the ignition switch on and verify the unit turns on.

- (d) Verify the speaker is working, press the or hold down the Speaker button.

- (e) Turn off the ignition.



5. Completing the Installation

- (a) Snap the housing into place.
- (b) Replace the Phillips screws removed in step 1(b) on each side of the portable navigation housing. (Fig. 5-1)
 - (1) Insert the right and left screw caps.
- (c) Complete the vehicle reassembly.
 - (1) Reconnect any disconnected connectors.
 - (2) Verify the panels fit together properly with no uneven gaps between them.
- (d) Place Owner's Manual, Quick Reference Guide, USB cable, and software CD in glove box.
- (e) Clean up and remove any trash.

NOTE: PLEASE SEE YOUR TOYOTA DEALER FOR NAVIGATION UNIT ACTIVATION.

TOYOTA FJ CRUISER 2007- PORTABLE NAVIGATION SYSTEM
Checklist - these points **MUST** be checked to ensure a quality installation.

<u>Check:</u>	<u>Look For:</u>
<p><u>Accessory Function Checks</u></p> <p><input type="checkbox"/> Insert the key into the ignition switch and turn it to "ON".</p> <p><input type="checkbox"/> Press or hold down the Speaker button.</p>	<p>The test unit turns on.</p> <p>The speaker plays an audio sound.</p>
<p><u>Vehicle Function Checks</u></p> <p><input type="checkbox"/> Cigarette lighter adapter</p>	<p>Verify battery voltage is present at the cigarette lighter adapter.</p>