

Part Number: PT767-02028

Section I - Installation Preparation

Kit Contents

Item #	Quantity Req'd.	Description
1	1	Pet Screen
2	1	Installation Instructions

Hardware Bag Contents

Item #	Quantity Req'd.	Description
1		

Additional Items Required For Installation

Item #	Quantity Req'd.	Description
1	1	*Tie-down Knob Kit, P/N 66310-YY010-00 See NOTE below.

Conflicts

Note:- Interior Seat Back Storage Bag & First Aid Kit

Recommended Tools

Safety Tools	
None	
Special Tools	
None	
Installation Tools	
None	
Special Chemicals	
None	

NOTE: *This Accessory is standard on all Matrix models.

SMS P/N 66310-YY010

This Kit includes 8 Knobs, 8 Tap Plates, 8 Tap Plate Retainers, and 1 DIO Installation Instruction Sheet. This Kit is standard equipment with all Matrix vehicles from the factory. It is a throw-in and is then subsequently installed by the dealer.

TMS Service P/N PT278-02010-HW

This Kit includes 1 Knob, 1 Tap Plate, and 1 Tap Plate Retainer all sealed in a poly bag with a bar code label. This is the only P/N available that the dealer can order.

General Applicability






Note:- 2003 Matrix - All Models

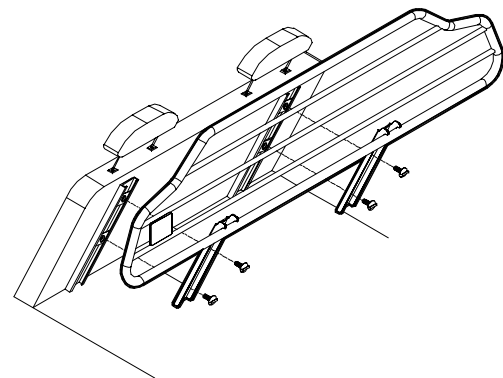
Recommended Sequence of Application

Item #	Accessory	
1	Tie Down Knob Kit	
2	Pet Screen	

*Mandatory

Legend

	STOP: Damage to the vehicle may occur. Do not proceed until process has been complied with.
	OPERATOR SAFETY: Use caution to avoid risk of injury.
	CRITICAL PROCESS: Proceed with caution to ensure a quality installation.
	GENERAL PROCESS: This highlights specific processes to ensure a quality installation.
	TOOLS & EQUIPMENT: Calls out the specific tools and equipment recommended for this process.




WARNING:




The pet screen divider is only intended to block a pet's access to the rear seat. It is not intended to restrain pets or cargo in the event of an accident or vehicle deceleration, nor is it intended to protect occupants from unrestrained pets or cargo in the event of an accident or vehicle deceleration. Both rear seats must be fully latched in the upright position.

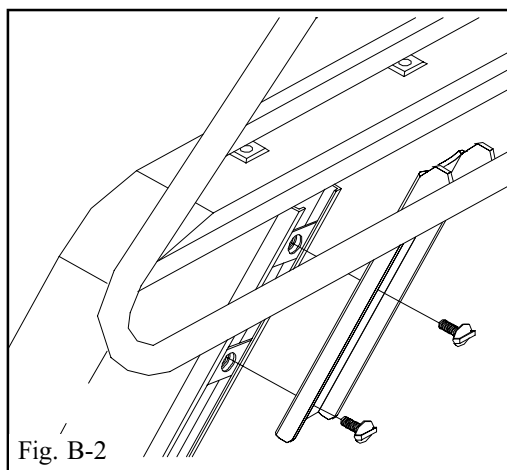
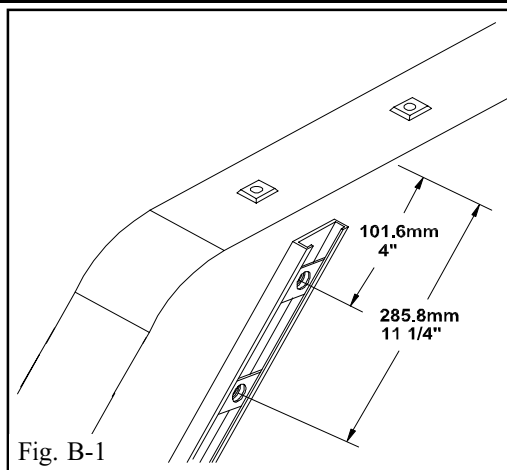
Section II - Installation Procedure

A. Install Tap Plates (from Tie-down Knob Kit)

-  1. If required install tap plates into the rear seat back track section - see DIO Instructions.

B. Install Pet Screen

- 1. Push the tap plates along the track and into position for the Pet Guard Bracing. From the top of the seat, the approximate locations of the tap plates are 4" (102 mm) for the top and 11 1/4" (286 mm) for the bottom. (Fig. B-1)
- 2. Bolt the pet screen to the track using the Tie Down Knobs (from Tie-down Knob Kit - standard on all matrix vehicles). (Fig. B-2)
-  3. Align the Pet Screen in the vehicle for best fit and an even look within the vehicle.
-  4. Hand-tighten all knobs.
-  5. Place these Installation Instructions in the vehicle glove box.



Section III - Functional Verifications

Check:

- Pet Screen Alignment.
- Rear Seats Latched.
- Pet Screen Tight.
- Instruction Sheet Location.

Look For:

- Centered and horizontal in vehicle.
- Perimeter should not contact the headliner or the side panels/windows.
- Both rear seats must be fully latched in the upright position.
- All Fasteners should be tight.
- Instruction Sheet should be in the glove box.