

OUTER REAR VIEW MIRROR ASSY LH

REPLACEMENT

7017J-01

HINT:

- The installation procedures are the removal procedures in reverse order. However, only installation procedures requiring additional information are included.
- Use the same procedures for the RH side and LH side.

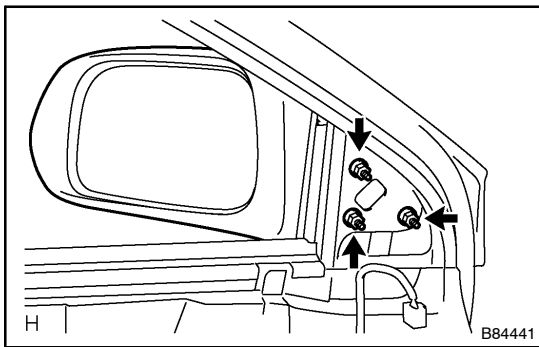
CAUTION:

If the mirror shatters during removal, flying debris may cause injuries. Be sure to wear protective clothing, gloves, glasses, etc. when performing these procedures.

NOTICE:

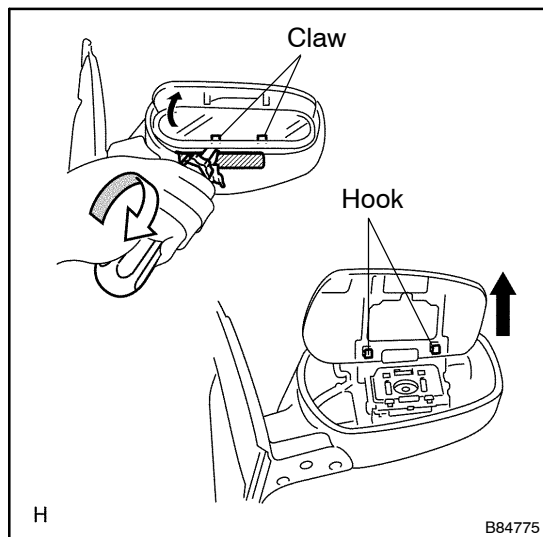
When replacing the mirror body, prevent damage to the mirror body by placing a protective cloth on the work area.

1. REMOVE FRONT DOOR LOWER FRAME BRACKET GARNISH LH



2. REMOVE OUTER REAR VIEW MIRROR ASSY LH

- Disconnect the connector.
- Remove the 3 nuts and mirror.



- Face the mirror holder upward and look at the bottom of the mirror. Find the 2 grooves between the mirror holder and holder base. Insert a screwdriver into a groove and twist it to release the claw. Then repeat for the other groove.

HINT:

Tape the screwdriver tip before use.

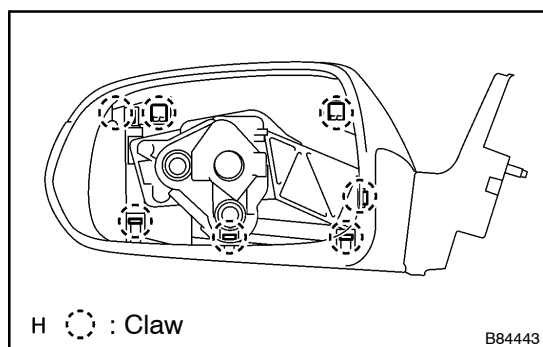
CAUTION:

To prevent the mirror from shattering and causing flying debris, apply tape to the front of the mirror.

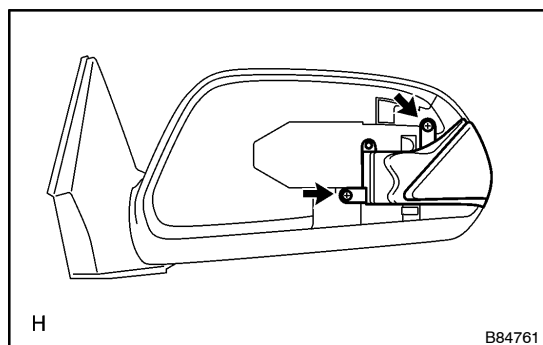
NOTICE:

To prevent damage to the vehicle, place protective tape on the mirror holder base near the lower edge of the mirror. A piece of cloth can be used.

- Lift up the lower part of the mirror holder and then release the 2 hooks on the top of the mirror.
- Remove the mirror holder.

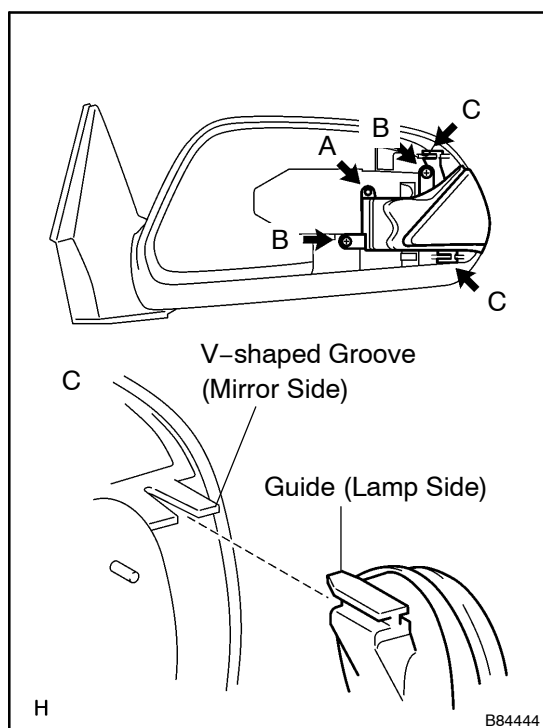


- (f) Detach the 7 claws.
- (g) Remove the mirror garnish.



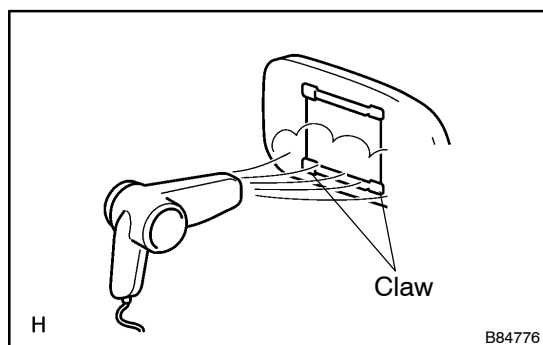
3. REMOVE SIDE TURN SIGNAL LAMP LENS LH

- (a) Disconnect the connector.
- (b) Remove the 2 screws and lens.



4. INSTALL SIDE TURN SIGNAL LAMP LENS LH

- (a) First set the lens position by inserting the lens peg to the location labeled A in the illustration. Then insert the lens guide to the V-shaped groove as shown in C in the illustration.
- (b) Install the lens with the 2 screws labeled B.
- (c) Connect the connector.
- (d) Install the mirror guide.



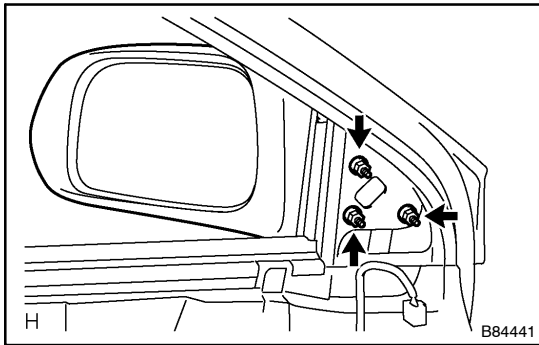
- (e) Install the mirror holder.

HINT:

Before installing the mirror holder, use a dryer to sufficiently heat the backside of the mirror holder where the claws are located.

NOTICE:

If the ambient temperature is low and the claws are not heated before installing, the claws may break.

**5. INSTALL OUTER REAR VIEW MIRROR ASSY LH**

- (a) Install the mirror with the 3 nuts.

Torque: 8.0 N·m (82 kgf·cm, 71 in.-lbf)

- (b) Connect the connector.