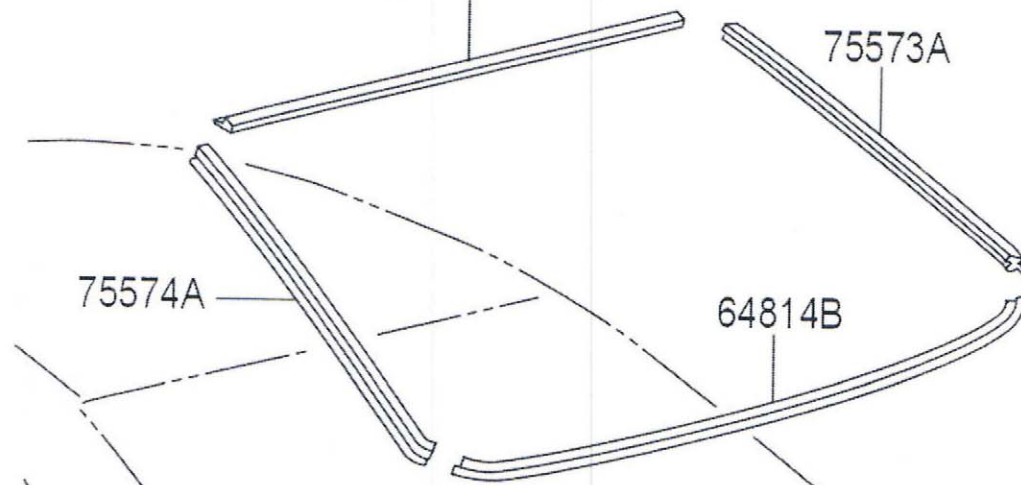
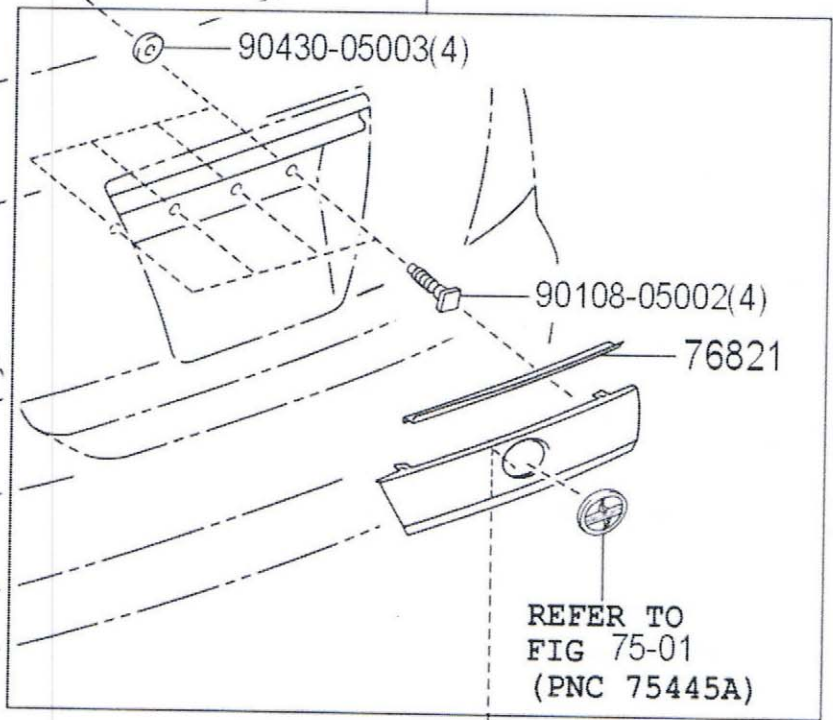


REFER TO  
FIG 67-08  
(PNC 04641A)



90179-05011(4)

76801



90467-09196