

Toyota Corolla S/LE/XRS

2009 -

Dash Applique

Part Number: 00016-12945

Accessory Code: DW1



Kit Contents

Item #	Quantity Reqd.	Description
1	1	Center Vent Trim
2	1	Audio Trim
3	1	Climate Trim
4	1	Power Trim
5	1	Storage Door Trim
6	1	Center Console Trim
7	1	Lower Console Trim
8	1	Driver Front Door Trim
9	1	Passenger Front Door Trim
10	1	Passenger Rear Door Trim
11	1	Drivers Rear Door Trim
12	1	Driver Vent Trim
13	1	Passenger Vent Trim

Hardware Bag Contents

Item #	Quantity Reqd.	Description
1		

Additional Items Required For Installation

Item #	Quantity Reqd.	Description
1		
2		
3		

Conflicts

None 2009 Corolla XLE

Recommended Tools

Personal & Vehicle Protection	Notes
Special Tools	Notes
Surface Thermometer	Infrared Non-contact
Installation Tools	Notes
Heat Gun	Master Heat Gun HG-301A or equivalent
Lint free cloths	

Special Chemicals	Notes
Paint cleaner	VDC approved cleaner

General Applicability

2009 COROLLA S/LE/XRS

Recommended Sequence of Application

Item #	Accessory

*Mandatory

Vehicle Service Parts (may be required for reassembly)

Qty Reqd.	Description	Part Number
1	Center Vent Trim	00016-12945-CV
1	Audio Trim	00016-12945-AU
1	Climate Trim	00016-12945-AC
1	Power Trim	00016-12945-PT
1	Storage Door Trim	00016-12945-SD
1	Center Console Trim	00016-12945-CC
1	Lower Console Trim	00016-12945-LT
1	Driver Front Door Trim	00016-12945-DF
1	Passenger Front Door Trim	00016-12945-PF
1	Passenger Rear Door Trim	00016-12945-PR
1	Drivers Rear Door Trim	00016-12945-DR
1	Driver Vent Trim	00016-12945-DV
1	Passenger Vent Trim	00016-12945-PV

Legend

	STOP: Damage to the vehicle may occur. Do not proceed until process has been complied with.
	OPERATOR SAFETY: Use caution to avoid risk of injury.
	CAUTION: A process that must be carefully observed in order to reduce the risk of damage to the accessory/vehicle and to ensure a quality installation.
	TOOLS & EQUIPMENT: Used in Figures calls out the specific tools and equipment recommended for this process.
	REVISION MARK: This mark highlights a change in installation with respect to previous issue.

Care must be taken when installing this accessory to ensure damage does not occur to the vehicle. The installation of this accessory should follow approved guidelines to ensure a quality installation.

These guidelines can be found in the "Accessory Installation Practices" document.

This document covers such items as:-

- Vehicle Protection (use of covers and blankets, cleaning chemicals, etc.).
- Safety (eye protection, rechecking torque procedure, etc.).
- Vehicle Disassembly/Reassembly (panel removal, part storage, etc.).
- Electrical Component Disassembly/Reassembly (battery disconnection, connector removal, etc.).

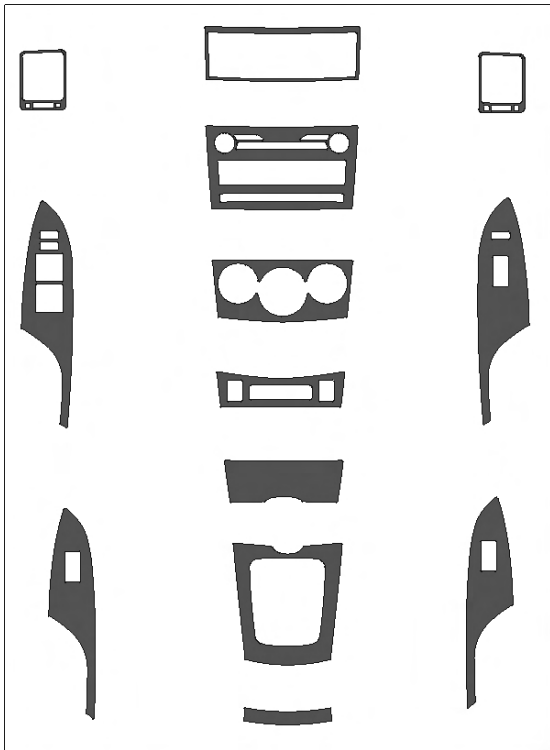


Fig. 1-1

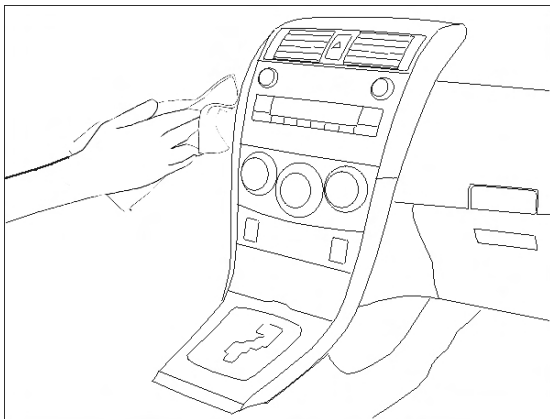



Fig. 2-1

1. Check Kit Content.

- (a) Check kit for content and damage. (Fig. 1-1)

2. Installation Preparation.

- (a) Thoroughly clean all installation surfaces.
- (i) Use a clean lint free cloth.
 - (ii) Clean surface thoroughly using VDC approved cleaner and wipe dry. Do not allow cleaner to air dry. (Fig. 2-1)
- (b) Ensure appliqué is between 70 F and 110 F at time of installation.
-  (c) Ensure vehicle surfaces to be between 70 F and 110 F at time of installation.
- (d) Do not touch or allow debris or contaminants to come in contact with the adhesive backing before installation.

Inspect parts prior to installation. Dry fit.

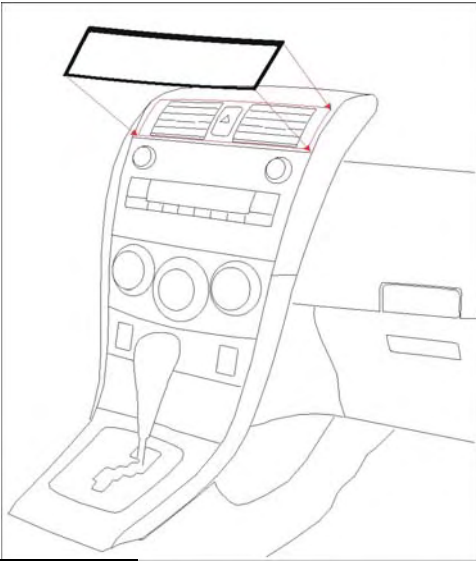


Fig. 3-1



Fig. 4-1



Fig. 5-1

3. Install Upper Vent Trim.

- (a) Remove the tape liner from the appliqué. Do not touch the adhesive.
- (b) Align part uniformly to the factory core part of the area in be installed. (Fig. 3-1)
- (c) Gently touch the part into position and re-position as necessary. Once positioned correctly apply hand pressure to ensure maximum adhesion contact.

4. Install Radio Trim

- (a) Remove the tape liner from the appliqué. Do not touch the adhesive.
- (b) Align part uniformly to the Radio edge and audio button. (Fig. 4-1)
- (c) Gently touch the part into position and re-position as necessary. Once positioned correctly apply hand pressure to ensure maximum adhesion contact.

5. Install Climate Trim

- (a) Remove the tape liner from the appliqué. Do not touch the adhesive.
- (b) Align part uniformly to the Climate Control edges and dial controls. (Fig. 5-1)
- (c) Gently touch the part into position and re-position as necessary. Once positioned correctly apply hand pressure to ensure maximum adhesion contact.

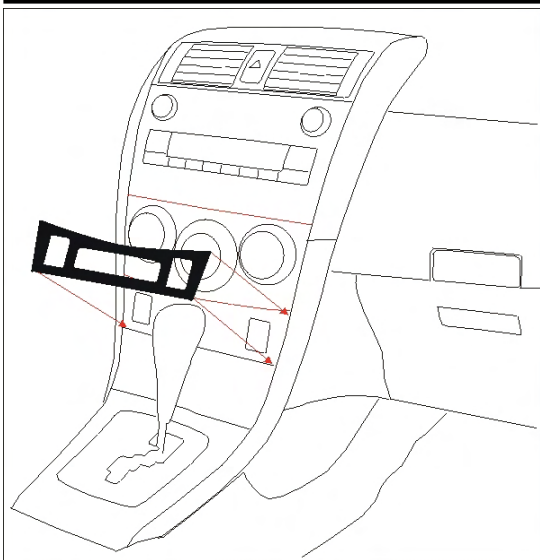


Fig. 6-1

6. Install Power Trim

- (a) Remove the tape liner from the appliqué. Do not touch the adhesive.
- (b) Align part uniformly to the factory core part and power supply openings. (Fig. 6-1)
- (c) Gently touch the part into position and reposition as necessary. Once positioned correctly apply hand pressure to ensure maximum adhesion contact.

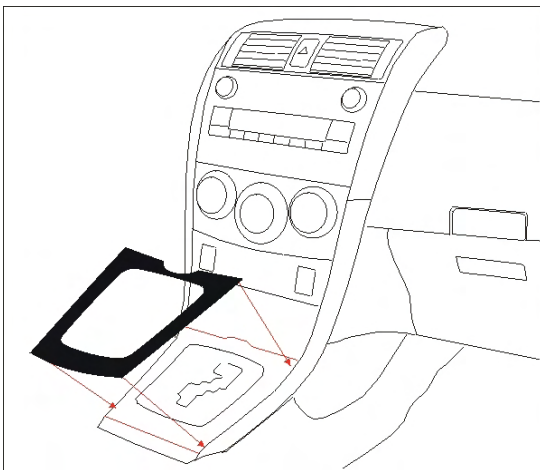


Fig. 7-1

7. Install Center Console Trim

- (a) Remove the tape liner from the appliqué. Do not touch the adhesive.
- (b) Align part uniformly to the outer edge of the factory shift plate. (Fig. 7-1)
- (c) Gently touch the part into position and reposition as necessary. Once positioned correctly apply hand pressure to ensure maximum adhesion contact.

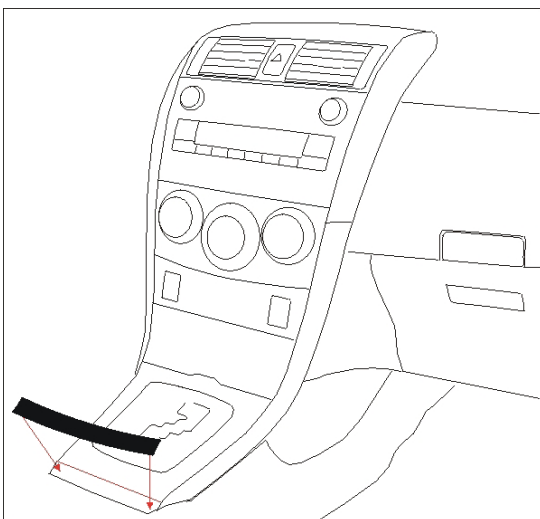


Fig. 8-1

8. Install Lower Console Trim

- (a) Remove the tape liner from appliqué. Do not touch the adhesive.
- (b) Align part uniformly to the bottom edge of the shift plate and edges of the factory shift console. (Fig. 8-1)
- (c) Gently touch the part into position and reposition as necessary. Once positioned correctly apply hand pressure to ensure maximum adhesion contact.

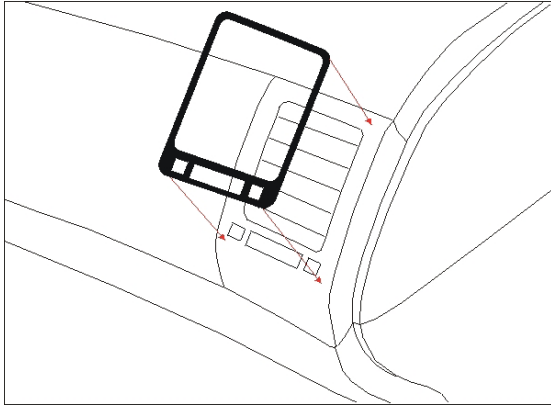


Fig. 9-1

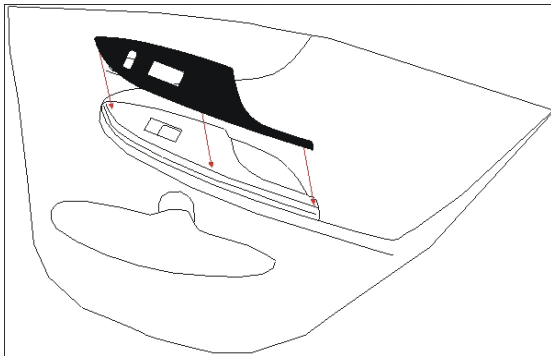


Fig. 10-1

9. Install Passenger Vent Trim

- (a) Remove the tape liner from the appliqué. Do not touch the adhesive.
- (b) Align part uniformly to the outer edge of the factory vents. (Fig. 9-1)
- (c) Gently touch the part into position and reposition as necessary. Once positioned correctly apply hand pressure to ensure maximum adhesion contact.
- (d) Repeat process for Drivers Vent Trim.

10. Install Passenger Front Door Trim

- (a) Remove the tape liner from the appliqué. Do not touch the adhesive.
- (b) Align part uniformly to the outer and inner edge of the vehicles factory door plate. (Fig. 10-1)
- (c) Gently touch the part into position and reposition as necessary. Once positioned correctly apply hand pressure to ensure maximum adhesion contact.
- (d) Repeat this process with the remaining doors.

Checklist - these points **MUST** be checked to ensure a quality installation.

<u>Check:</u>	<u>Look For:</u>
<p><u>Accessory Function Checks</u></p> <ul style="list-style-type: none"><input type="checkbox"/> Dash Appliqué – Adhesive <input type="checkbox"/> Dash Appliqué – Alignment <input type="checkbox"/> Dash Appliqué - Tolerances	<p>Parts should be securely attached to the vehicle.</p> <p>Part should be flush to the factory core parts surface.</p> <p>Confirm tolerances of part to vehicle and make sure all buttons are functional.</p>
<p><u>Vehicle Function Checks</u></p> <ul style="list-style-type: none"><input type="checkbox"/> Switch Operation.	<p>All switches and storage doors should open and close without any interference from the dash appliqué.</p> <p>“ Edge of appliqué should be flush to edge of factory component, +/- 2.0mm</p>